

Select Aerospace Technologies Ltd

Tel / Fax : (44) 1386 442836

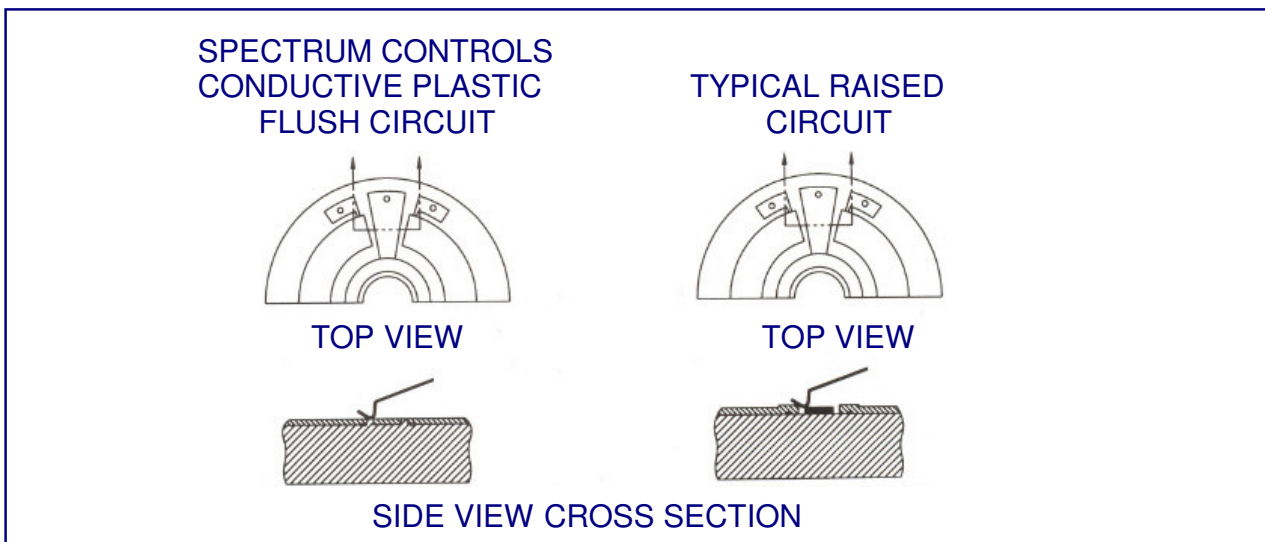
Email : info@selectaero.com

Website : www.selectaero.com

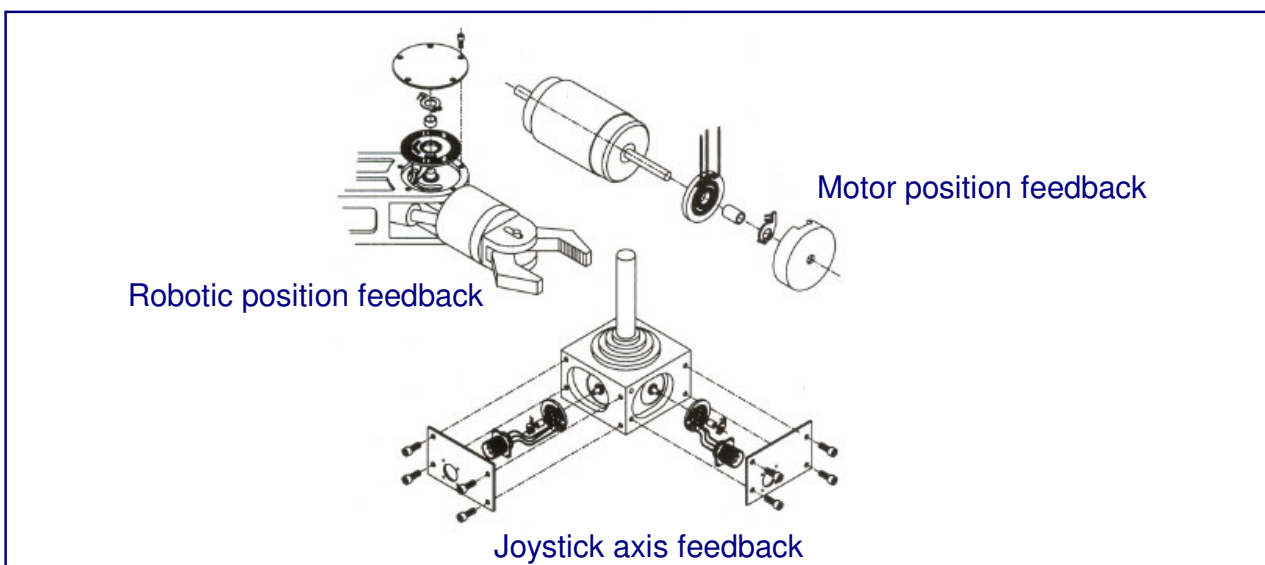


www.specsensors.com

Spectrum Sensors manufacture precision co-moulded conductive plastic potentiometers. In the Spectrum Controls process, the termination and resistance materials are simultaneously moulded with the plastic substrate. The result is a flush circuit with a very hard, smooth surface which, when combined with Spectrum Controls multifinger precious metal contacts, promotes ultra long life as well as excellent electrical performance in all environments.



Applications : Missile fin actuation and gyro systems, Aircraft instruments, Actuators, meteorological equipment, medical instruments and Robotics

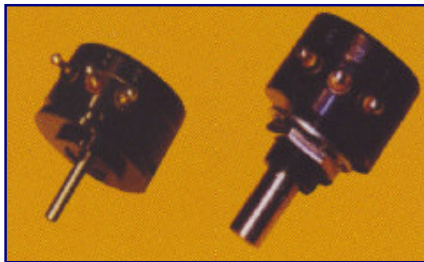




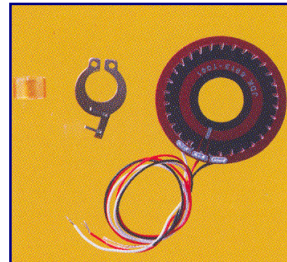
Element with terminals



4 elements on same substrate



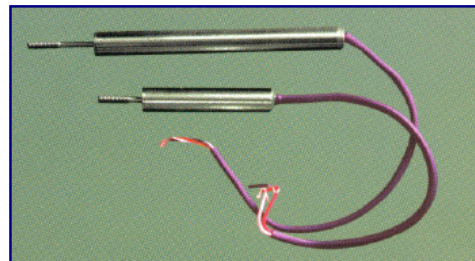
Bushing and Servo mount
co-moulded conductive
plastic potentiometer



"Do-It-Yourself" potentiometer kit



Miniature D.C. Motor /
Potentiometer



Linear motion potentiometers